



WideTEK® 36/44/48



Setup Instructions English

12/2020

Contents

Revision History	4
Information about the Instructions and the Manufacturer	5
Keep Instructions with the Scanner	5
Design Features in Text.....	6
Design Features in Pictures.....	7
Associated Documents	7
Copyright	8
Contact Data of the Manufacturer in Germany.....	8
Technical Support	8
Contact Data of the Manufacturer in the U.S.	8
Safety.....	9
Intended Use	9
Basic Safety Information	9
Avoiding Property Damage and Malfunctions.....	10
Responsibility of the Owner	11
Staff Qualifications.....	11
Design Features of Warning Notices	12
Formatting of Information Regarding Property Damage.....	12
Description	13
Purpose and Function	13
WideTEK® 36/44/48 Overview	14
Rear View	16
Setup Menu Overview Screen	17
Rating Plate.....	18
Serial Number	20
User Interfaces.....	20
Device Location.....	21
Environment	21

Prepare for Setup	22
Connect the Power Supply	22
Establish the Network Connection	23
Positioning the Scanner on the Optional Floor Stand	23
Connect the Foot Switch	23
Connect the Optional Monitor	24
Connect the Optional Touchscreen	25
Switch On the Scanner	26
Switch Off the Scanner	28
Perform Setup	30
Setup Wizard	30
Performing the Adjustments	32
Activate the Setup Menu	32
System Restore	35
Solid State Disk Software Failure	35
Restore Points	35
System Restore to Factory Settings	36
System Restore to User Settings	37
Cleaning	38
Technical Specifications	39
Optical System WideTEK® 36	39
Optical System WideTEK® 44	40
Optical System WideTEK® 48	41
Document Specification	41
Electrical Specifications	42
Dimensions and Weight WideTEK® 36	43
Dimensions and Weight WideTEK® 44/48	44
Ambient Conditions	44

Revision History

Date	Rev.	Name	Description of Change	Reason of Change
09.12.2020	1.0	JKN	First draft	First published version

Information about the Instructions and the Manufacturer

These instructions show you how to safely prepare and perform the setup for the wide format scanners WideTEK® 36/44/48. The WideTEK® 36/44/48 scanners are hereinafter referred to as "Scanner".

In these instructions, the start button is called "power button".

Keep Instructions with the Scanner

These instructions are a part of the scanner.

- Please always store these instructions together with the scanner.
- Ensure that the instructions are available for the user.
- Enclose the instructions when you sell the scanner or transfer it in any other way.

Design Features in Text

Many text passages in these instructions have been formatted to indicate specific elements, as illustrated below:

Normal text


BUTTONS OF THE SCREEN PAGE

"Menu names"

➤ Action steps

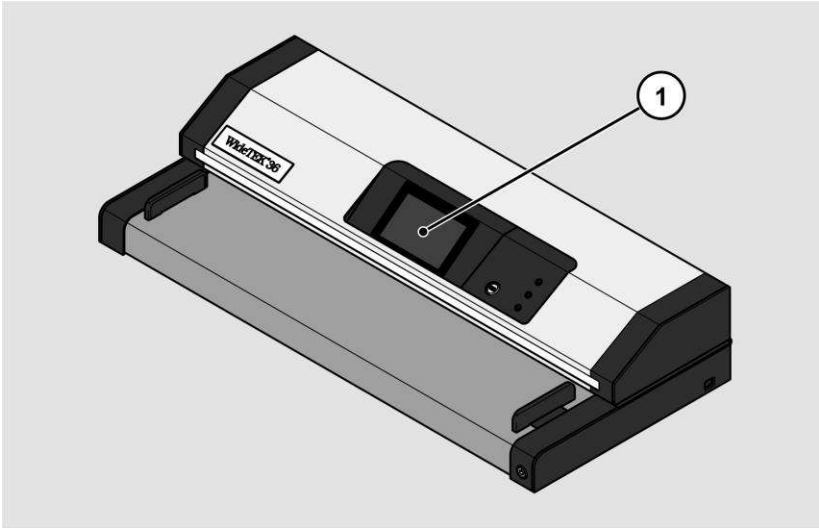
- Enumeration of the first level

Cross-references

 Tips contain additional information, such as special information to prepare for and perform the setup.

Design Features in Pictures

Where a reference is made to elements in a legend or in the text, these are marked with a number (1).



Associated Documents

In addition to these instructions, other documents associated with the operation of the scanner include:

- Unpacking and Repacking Instructions
- Legal Information (Declarations of Conformity, FCC Declaration, Safety & EMI Certificates, RoHS etc.).

Copyright

These instructions contains information that is subject to copyright. These instructions may not be reproduced in any form, printed, filmed, edited, copied or distributed, in whole or in part, without prior written permission from Image Access GmbH.

© Image Access GmbH 2020

All rights reserved.

Trademarks

Scan2Net®, Scan2Pad®, Bookeye® and WideTEK® are registered trademarks of Image Access, all other trademarks are the property of their respective owners.

Contact Data of the Manufacturer in Germany

Image Access GmbH

Hatzfelderstraße 161-163

42281 Wuppertal

Phone: +49-202-27058-0

E-Mail: documentation@imageaccess.de

Internet address: www.imageaccess.de

Technical Support

Image Access technical support can be reached at the e-mail address:
support@imageaccess.de.

Contact Data of the Manufacturer in the U.S.

Image Access LP

2511 Technology Drive, Suite 109

Elgin

IL 60124

Phone: +1-224-293-2585

E-Mail: support@imageaccess.us

Internet address: www.imageaccess.us

Safety

Intended Use

The scanner is used for scanning images and documents. The documents must comply with the characteristics described in the technical specifications. The scanner is designed for use in enclosed spaces in the commercial sector.

Intended use also includes observing and following all information provided in these instructions, especially the safety instructions. Any other use is considered improper and will void the warranty and liability claims.

Ambient Conditions

Ensure that the scanner is used exclusively under the following environmental conditions:

- Ambient temperature during operation: 5 to 40 °C (40 to 105 °F)
 - Storage temperature: 0 to 60 °C (32 to 140 °F)
 - Relative humidity: 20 to 80 %, non-condensing
- Ensure that the scanner is not exposed to direct sunlight.

Basic Safety Information

Avoid Injury or Death by Electric Shock

- Never open the housing of the scanner.
- Do not expose the scanner to dripping or splashing water and do not place any vessel filled with liquid on the scanner. Penetrating liquid can damage the scanner.
- Do not insert objects through existing slots or openings into the interior of the scanner.
- Only connect the scanner with the plug of the supplied AC adapter to a professionally installed and grounded outlet.
- Do not use the AC adapter if the power supply's housing or the cable are damaged. In this case, replace the power supply with a power supply of the same type.
- Do not use the scanner if it is visibly damaged. In this case, unplug the power cord from the wall outlet. Contact Image Access technical support, see section *Technical Support* starting at page 8.

Avoid Burns

- Do not cover the existing openings in the scanner housing. They serve to ventilate. Covering the openings could cause overheating.
- Do not place the scanner in front of air conditioning units, which produce high heat.

Avoid Fractures, Contusions and Bruises

Incorrect installation of the cables can cause tripping.

- Lay the connecting cables so that no one can trip over them.

The scanner weighs between 45 kg (99 lbs.) and 60 kg (132 lbs.), depending on the model.

- Only carry the scanner with a second person.
- Place the scanner only on a stable, level and vibration-free surface that has sufficient strength for the weight of the scanner.

Avoiding Property Damage and Malfunctions

- Ensure adequate ventilation to comply with the environmental conditions.
- Do not place the scanner in the vicinity of devices that emit strong electromagnetic radiation.
- Always place the scanner on a suitable, stable table or the optional floor stand.
- Do not lean on the scanner.
- Ensure that the thickness of the material to be scanned does not exceed 3 mm.
- Do not use any cleaning agents containing abrasive additives, solvents or acids. Use a damp microfiber cloth.
- Operate the touchscreen only with your finger. Other objects can damage the touchscreen.

Responsibility of the Owner





The scanner owner must ensure that only qualified personnel carry out the setup of the scanner.

Staff Qualifications



The staff that carries out the setup of the scanner must have knowledge in installing, connecting and putting computer accessories into operation.

Design Features of Warning Notices

In these instructions, the following warning information can be found:

 WARNING	
	Notices with the word WARNING warn about a dangerous situation that could lead to death or serious injuries.
 CAUTION	
	Notices with the word CAUTION warn about a situation that could lead to light or medium-scale injuries.

The following symbols are used in the warnings:

Symbol	Explanation
	Danger from electrical shock
	General danger symbol

Formatting of Information Regarding Property Damage

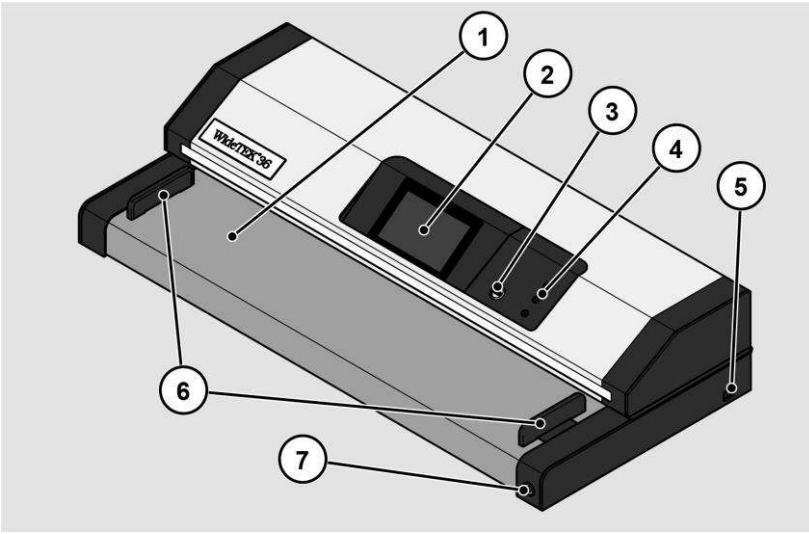
ATTENTION!	
	These notices warn of situations that can lead to property damage.

Description

Purpose and Function

The scanner is used for scanning images and documents. It is designed for use in enclosed spaces in the commercial sector. Intended use also includes observing and following all instructions in these instructions, especially the safety instructions. Any other use is considered to be improper and will void the warranty and liability claims.

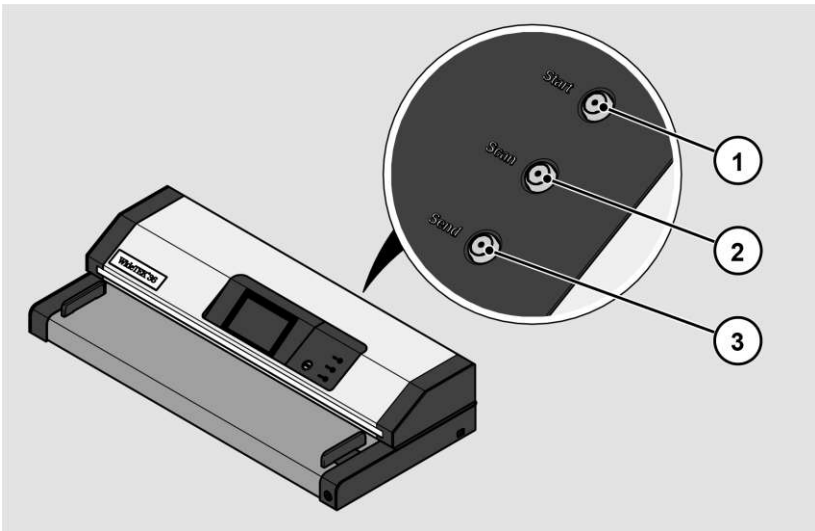
WideTEK® 36/44/48 Overview



No.	Name
1	Document transport
2	Touchscreen
3	USB port
4	Keyboard buttons
5	Main switch
6	Transport guides
7	Power button

i The WideTEK 44 scanner can be extended to a WideTEK 48 by purchasing a software option.

Keyboard Buttons

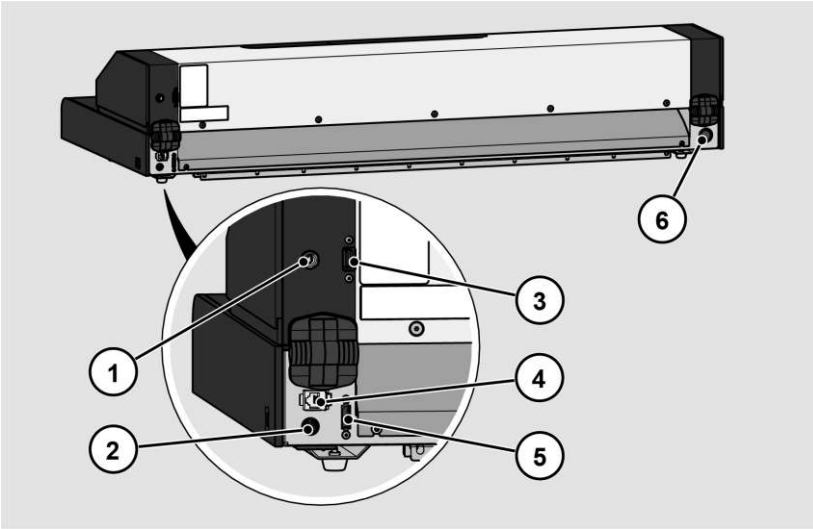


The keyboard of a WideTEK® 36/44/48-600 has three buttons with additional functions.

No.	Name	Function
1	Start	Start job
2	Scan	Start scan
3	Send	Send job

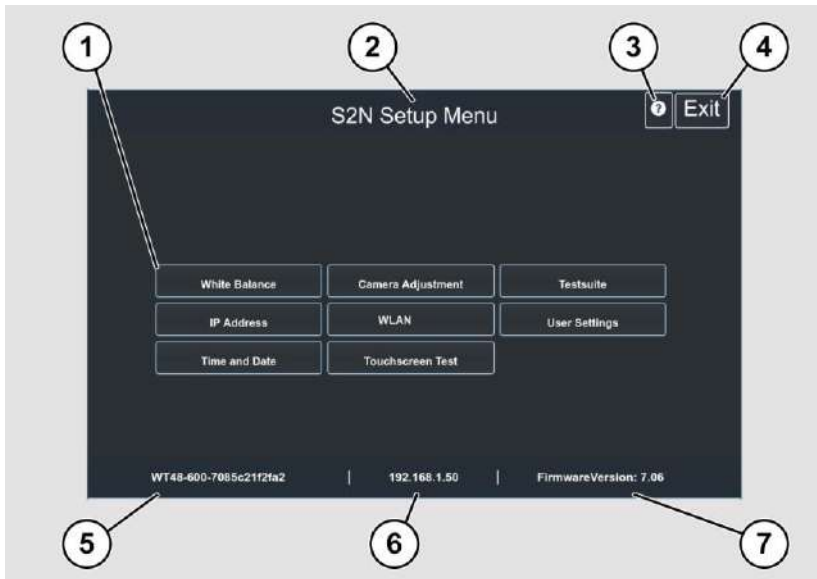
Rear View

The following diagram shows the rear view of the scanner.



Nr.	Benennung
1	Foot switch connector
2	24 Vdc connector for external power supply
3	USB port
4	Network connector
5	DisplayPort connector
6	Restore button

Setup Menu Overview Screen



No.	Name
1	Buttons and parameters
2	Menu name
3	Display the online help ¹
4	Button to leave the setup menu to the start screen
7	Serial number
8	IP address
9	Firmware version

¹ The display of the online help is only available when a second touchscreen is connected to the scanner.

Rating Plate

The rating plate is attached to the back of the scanner.

The following figure shows the WideTEK® 36 rating plate.



The following figure shows the WideTEK® 44 rating plate.

Type/品类: **Wide F. Scanner/大幅面扫描仪**
 Model/型号: **WT44-600**
 Volt/电压: **24V**  **Amperes/电流: 5A**

  Conforms to
 UL Std. **60950-1**
 Cert. to CAN/CSA Std.
 C22.2 No. **60950-1** 

Intertek **Intertek**
 3171507

Self Declaration: Conforms to IS 13252 (Part 1):2010, R-41006580

 This device complies with part 15 of the FCC Rules.
 Operation is subject to the following two conditions:
 [1] This device may not cause harmful interference.
 [2] This device must accept any interference received,
 including interference that may cause undesired operation.

 **Made in Germany 德国制造**
 Image Access GmbH, Wuppertal
 www.imageaccess.de

Serial #./Manufacturing Date on Barcode Label

Description

The following figure shows the WideTEK® 48 rating plate.



Serial Number

The serial number of the scanner is located on the back of the device. Please have the serial number available for support requests.

User Interfaces

The scanner can be operated in five ways.

- Via the touchscreen and the ScanWizard Touch user interface.
- Via EasyScan or a customer application.
- Via a standard web browser and the ScanWizard Client user interface.
- Via the optional Scan2Pad® hotspot.
- Via external scan applications.

Device Location

Environment

Choose a location that complies with the temperature and humidity specifications.

Please allow

- a minimum distance of 100 mm (4 inches) from any side walls,
- a minimum distance of 50 mm (2 inches) from a back wall,
- a minimum distance of one meter (3 feet) from any door or entrance way.

Place the scanner on a flat and solid base. The load bearing capacity of the base must correspond to the device weight (max. 50 kg / 110 lbs.). The dimensions of the base must match the floor space required by the scanner.





- ⓘ Before using the scanner in the new environment allow at least one hour for temperature adaptation.

A fast change from cold to warm environmental conditions can build up condensation inside the housing.

This will result in unfavorable scanned images and could cause permanent damages to the unit.

Prepare for Setup



Connect the Power Supply

 WARNING	
	<p>Risk of electric shock due to incorrect connection.</p> <ul style="list-style-type: none"> ➤ Ensure that the power receptacle intended for the connection is properly grounded. ➤ Ensure that the power receptacle intended for the connection of the scanner is properly fused.
 CAUTION	
	<p>Incorrect routing of the connection cables can cause tripping.</p> <p>Fractures, contusions and bruises can be the result.</p> <ul style="list-style-type: none"> ➤ Place the connecting cables so that no one can trip over them.

To connect the power supply, proceed as follows:

- Make sure that the main switch of the scanner is switched off (0 position).
- Use only the AC adapter and power cord supplied.
- Ensure the power cord is not damaged.
- Connect the connector from the power supply to the associated 24 V DC connector on the back of the scanner.
- If not already done, connect the supplied power cable to the associated connector on the power supply.
- Connect the power plug of the power supply to a power receptacle of the correct voltage (100-240 V DC).



Establish the Network Connection

 CAUTION	
	<p>Incorrect routing of the connection cables can cause tripping. Fractures, contusions and bruises can be the result.</p> <ul style="list-style-type: none"> ➤ Place the connecting cables so that no one can trip over them.

To establish the network connection, proceed as follows:

- Connect one plug of the enclosed network cable to the network connector socket on the back of the scanner.
- Connect the second plug to the network socket of an existing network.



Positioning the Scanner on the Optional Floor Stand

 CAUTION	
	<p>The scanner weighs between 51 kg (112 lbs.) and 60 kg (132 lbs.), depending on the model.</p> <ul style="list-style-type: none"> ➤ Only carry the scanner with a second person. ➤ Ensure that the scanner is secured so that it does not fall over.

To position the scanner on the optional floor stand, proceed as follows:



- Assemble the floor stand according to the floor stand assembly instructions.
- Position the scanner, with the help of a second person, on the floor stand as described in the accompanying floor stand assembly instructions.

Connect the Foot Switch

 CAUTION	
	<p>Incorrect routing of the connection cables can cause tripping. Fractures, contusions and bruises can be the result.</p> <ul style="list-style-type: none"> ➤ Place the connecting cables so that no one can trip over them.

- Connect the plug of the foot switch to the connector socket for the foot switch, located on the back of the scanner.

Connect the Optional Monitor

 CAUTION	
	<p>Incorrect routing of the connection cables can cause tripping. Fractures, contusions and bruises can be the result.</p> <ul style="list-style-type: none">➤ Place the connecting cables so that no one can trip over them.

To connect the optional monitor, proceed as follows:

- Connect the DisplayPort connector plug of the monitor to the DisplayPort connector socket, located on the back of the scanner.

Connect the Optional Touchscreen

CAUTION



Incorrect routing of the connection cables can cause tripping.

Fractures, contusions and bruises can be the result.

- Place the connecting cables so that no one can trip over them.

To connect the optional touchscreen, proceed as follows:

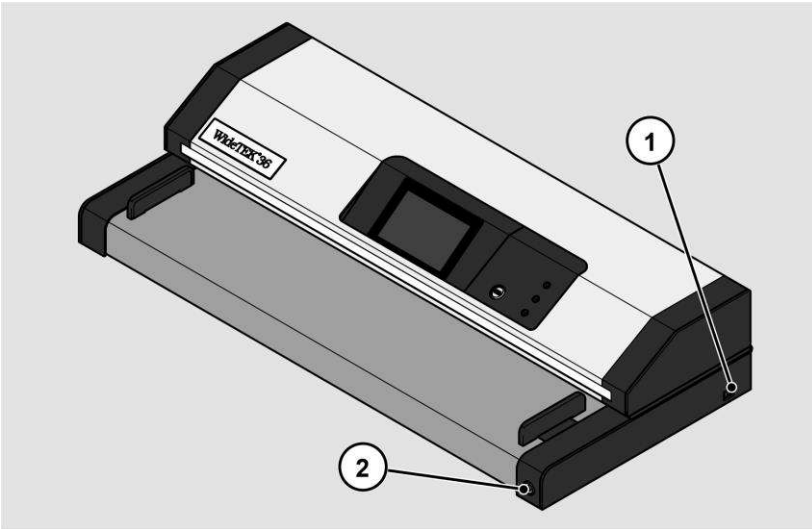
- Connect the DisplayPort connector plug of the touchscreen to the DisplayPort connector socket, located on the rear of the scanner.
- Connect the USB connector plug of the touchscreen to the USB connector socket, located on the back of the scanner.

Switch On the Scanner

To switch on the scanner, proceed as follows:

- Press the MAIN SWITCH (1) to the "I" position.

The following diagram shows the scanner model WideTEK® 36.



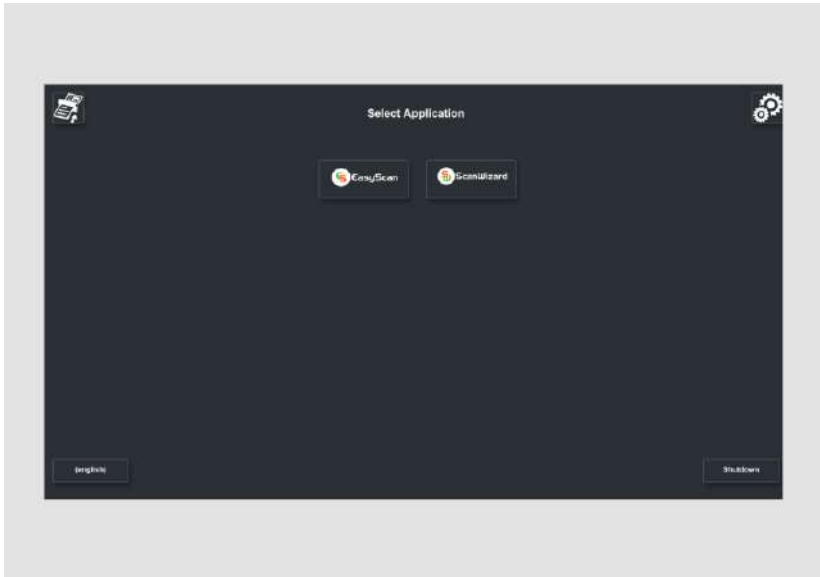
The scanner is in standby mode.

To start the scanner from standby mode, proceed as follows:

- Press the POWER button (2).

The power button lights up in blue.

The scanner performs a system test. After a short wait, the "Start screen" is displayed in English.

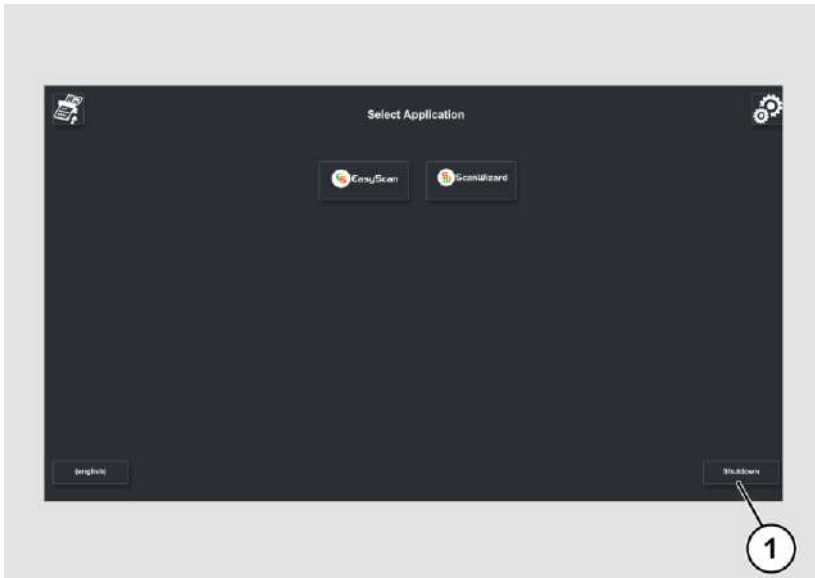


Switch Off the Scanner

To switch the scanner to standby mode after performing the setup, proceed as follows:

- On the "Application Selection" screen tap on SHUTDOWN (1).

Alternatively, you can also press, under 5 sec., the POWER button to do this.



- Confirm with YES.

The scanner shuts down. This process can take up to 40 seconds.

The scanner is in standby mode.

Alternatively, switch the scanner into the standby mode as follows:

- Press the blue illuminated power button and hold it for six seconds.

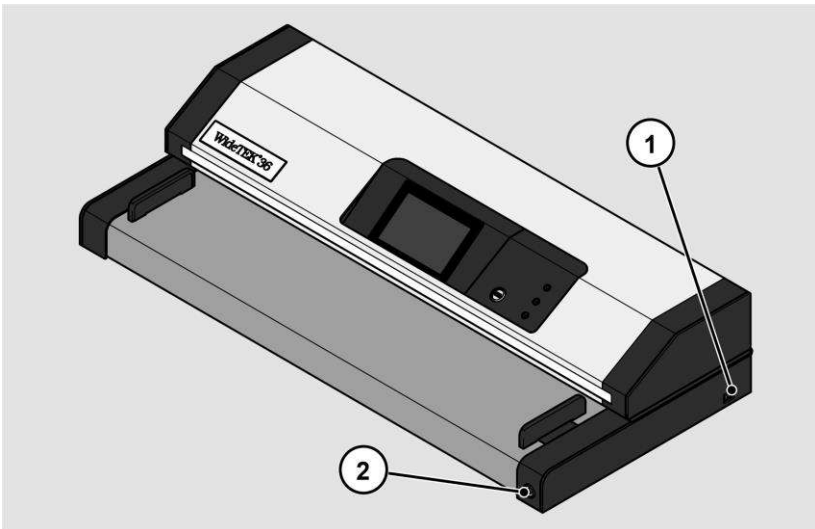
The scanner shuts down. This process can take up to 40 seconds.

The scanner is in standby mode.

To switch off the scanner for longer periods, proceed as follows:

- Make sure that the scanner is in standby mode.
- Press the MAIN SWITCH (1) in the "0" position.

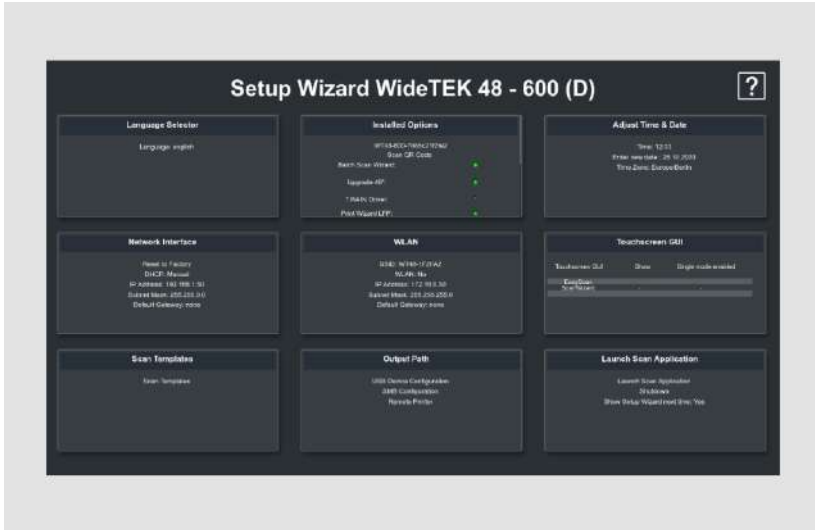
The following diagram shows the scanner model WideTEK® 36.



Perform Setup

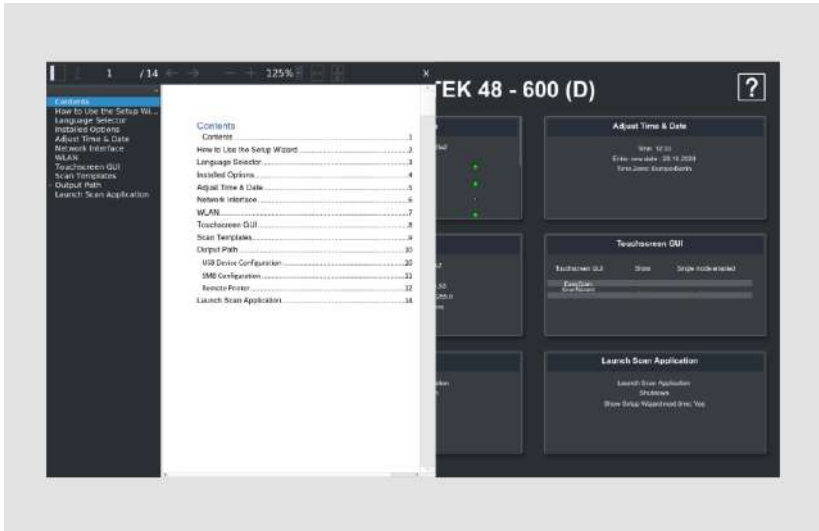
Setup Wizard

The Setup Wizard is displayed on the touchscreen immediately after the startup process is completed.



The Setup Wizard allows the user to perform the initial settings on the touchscreen of a Scan2Net scanner. After the Setup Wizard has been run through successfully, the scanner can be used immediately without any further necessary settings.

All user interfaces of the Setup Wizard are described in the online help.



To exit the Setup Wizard, you must deactivate it in the LAUNCH SCAN APPLICATION tile.

To start the Setup Wizard after a reboot of the scanner, reactivate it in the SETUP DEVICE section of Scan2net.

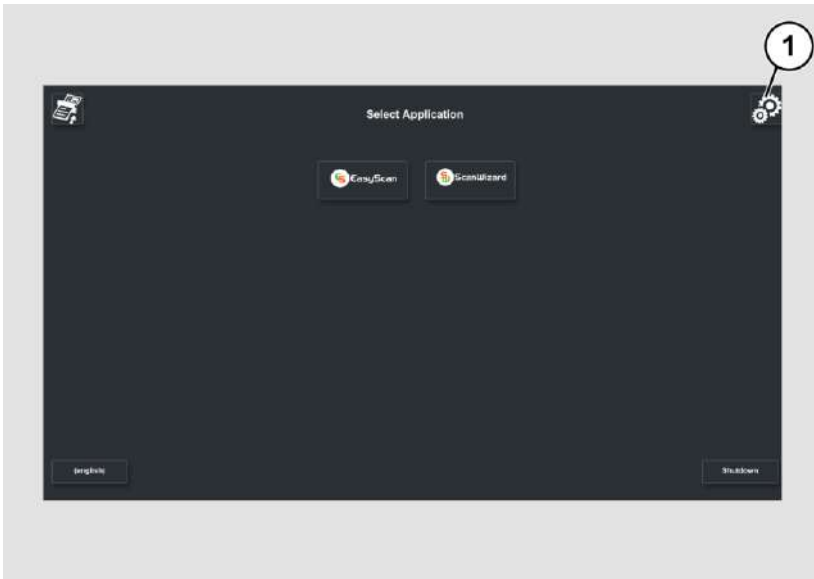
- Open a tab in a web browser and enter the IP address assigned to the scanner.
- The Scan2Net window is displayed.
- Click on SETUP DEVICE, then click POWERUSER.
- Enter "Poweruser" as login name and password.
- Select SETUP WIZARD in the "Administrative Settings" menu.
- In "Setup Wizard" menu, select YES.

Performing the Adjustments

Activate the Setup Menu

To activate the setup menu, you must log in on the scanner. Proceed as follows:

- Tap the GEAR SYMBOL (1).

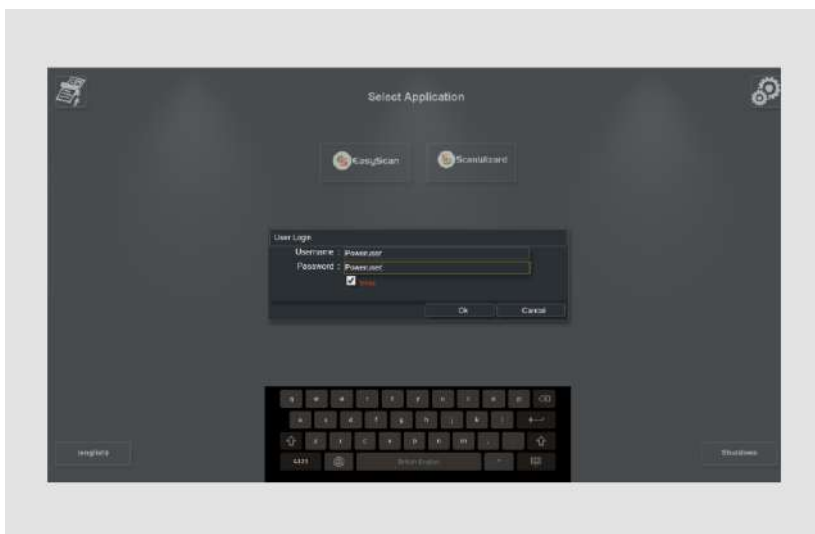


The login window appears.

- In the login window, enter the login credentials.
- Tap on the "Username" input field.

The screen keyboard is displayed.

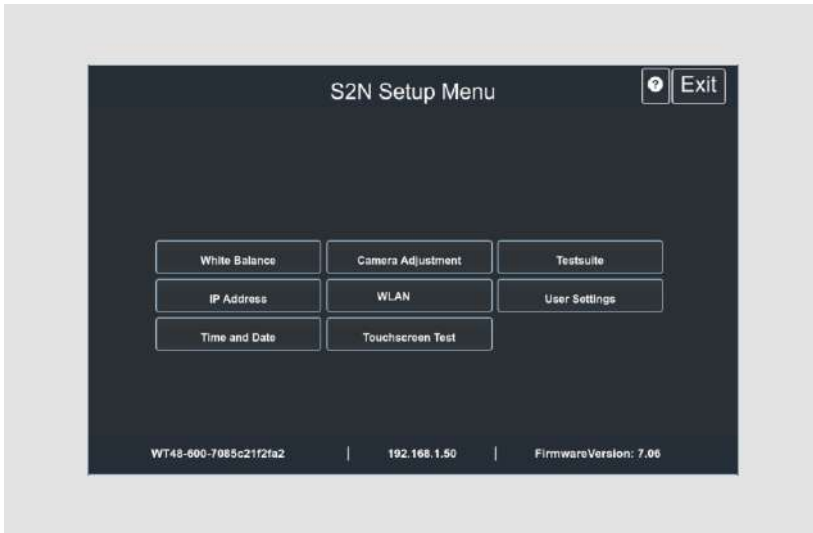
- Enter the word "Poweruser".
- Tap on the "Password" input field.
- Enter the word "Poweruser".
- Please note that the input is case sensitive in both entry fields.



- To complete the log in, press OK.

The "Setup Menu" screen is displayed.

Setup Menu Overview Screen



- White Balance: Display the "White balance" submenu
 - Camera Adjustment Display the "Camera Adjustment" and "Stitching" submenus
 - Test Suite: Display the "Test Suite" submenu
 - IP Address: Display the "IP Address" submenu
 - WLAN Display the "WLAN" submenu
 - User Settings: Display the "User Settings" submenu
 - Time and Date: Display the "Time and Date" submenu
 - Touchscreen Test: Display the "Touchscreen Test" submenu
- To select a submenu from the "S2N Setup menu" screen, tap with your finger on the button of the screen.
 - All user interfaces of the Setup Menu are described in the online help.

System Restore

Solid State Disk Software Failure

The file system and the Linux operating system of a Scan2Net scanner are very robust and forgiving. The file system has the ability to repair itself, even if the system loses power during a disk write operation, a condition which will almost certainly corrupt any Windows, Android or MAC OS based computer.

Nevertheless, under certain circumstances it could happen that the Scan2Net Linux software on the SSD becomes corrupt. Unexpected power failures, hard power off cycles via the main power switch without a previously controlled shut down and other unexpected terminations of the operating system may cause this kind type of failure. Also, any uncontrolled interrupt of a firmware update procedure or other functions which involve writing to the main storage (SSD) are a potential risk to the integrity of the firmware on the SSD. The Scan2Net operating system of every WideTEK® or Bookeye® scanner is Linux based and although it happens very rarely, the Linux operating system can be corrupted like any other operating system; whether it is a Windows, Android, Mac or any other OS.

If the Linux operating system or other parts of the SSD are corrupted, there is still no need to replace the SSD, at least not before the restore procedure is executed once. This procedure is similar to the procedures necessary to restore a Windows, Android or Apple OS to a previous state.

Restore Points

There are up to two backup copies of the Scan2Net Linux operating system stored on the internal SSD. The first one is generated during manufacturing. This is the restore point "Factory Settings". The second one can be generated by the user at any time. This is the restore point "User Settings".

System Restore to Factory Settings

The restore procedure is a simple process:

Step	Action
1	Shut down the scanner, either through the touch panel, through the currently used application or by pushing the POWER button on the scanner's housing. If this does not work shut down the scanner by the MAIN SWITCH.

i Make sure that the following process is not interrupted by a hard shut down or power failures.

If this process is interrupted, a loss of the system restore point is possible, making it mandatory to physically replace the SSD.

i The following process cannot be influenced by the user.

Step	Action
2	Make sure that the main power is switched on.
3	Press and hold the red RESTORE button at the back of the scanner before switching it on. Power up the scanner via the POWER button. Important: The RESTORE button must be pressed and then held until it lights up.
4	The restore procedure starts automatically. This process takes about 1 - 2 minutes. At the end, it reboots the scanner.

System Restore to User Settings

Set Restore Point

Step	Action
1	Open a tab in a web browser and enter the IP address assigned to the scanner.
2	The Scan2Net window is displayed.
3	Click on SETUP DEVICE, then click POWERUSER.
4	Enter "Poweruser" as login name and password.
5	Select SYSTEM RESTORE in the "RESETS & DEFAULT VALUES" menu.
6	Select SET RESTORE POINT.

Please wait until the process is finished and the READY message is displayed. The process takes about 1 – 2 minutes.

System Restore

Step	Action
1	Open a tab in a web browser and enter the IP address assigned to the scanner.
2	The Scan2Net window is displayed.
3	Click on SETUP DEVICE, then click POWERUSER.
4	Enter "Poweruser" as login name and password.
5	Select SYSTEM RESTORE in the "RESETS & DEFAULT VALUES" menu.
6	Select RESTORE SYSTEM.

The device will reboot immediately. Then, the System Restore is performed. This process will take about 1 – 2 minutes. Finally, the device will perform a second reboot into the restored system.

End of restore process.

Cleaning

To keep the scanner in good working condition, ensure that it is free of accumulated dust, ink, grease, and other contamination. The scanners are high resolution optical instruments with high quality glass parts. Since a higher quality scanner makes smaller dirt and dust particles more visible in the scans than a lower quality scanner, special care must be taken to keep all parts and especially all glass parts as clean as possible.

Cleaning intervals are determined by the scanner environment, the types of documents scanned and the usage frequency. The scanner should be cleaned under the following circumstances.

- When sporadic or frequent image quality problems occur.
- When sporadic or frequent crop & skew issues occur, although the document lies in the proper section of the scan area.
- ⓘ To prevent electric shock and other potential damage, make sure that the scanner is switched OFF and unplugged before any cleaning is performed. Do not let any water get inside the scanner.

Proper general cleaning should include the following:

- Use an electric dust cleaner to remove dust from all parts before you continue cleaning other parts of the product. Be careful not to touch parts with the dust cleaner hose.
- Clean the outer surface of the product with a damp cloth. Wet the cloth and wring it out as much as possible. The best results are obtained with a microfiber cloth.
- The glass surfaces of the scanner should only be cleaned with a soft, lint-free cloth.
- Use a mild soap and water solution only if necessary. Do not use abrasive cleaners.
- Wipe the product dry with a soft, lint-free cloth.
- Be especially careful if cleaning the touchscreen.

Technical Specifications

Optical System WideTEK® 36

Document Width	950 mm (37.4 inch)
Scan Width	915 mm (36 inch)
Scan Direction	Face up
Scanner Resolution	1200 × 1200 dpi (optionally 9600 × 9600 dpi interpolated)
Optical Resolution	1200 × 600 dpi
Pixel Dimension	9.3 × 9.3 μm
Sensor Type	Four Tri-color CCDs, encapsulated and dust-proof
Color Depth	48 bit color (internal resolution) 16 bit grayscale (internal resolution)
Scan Modes	24 bit color, 8 bit grayscale, bitonal, halftone
File Formats	Multipage PDF (PDF/A) and TIFF, JPEG, JPEG 2000, PNM, PNG, BMP, TIFF (Raw, G3, G4, LZW, JPEG), AutoCAD DWF, JBIG, DjVu, DICOM, PCX, Postscript, EPS, Raw data

Optical System WideTEK® 44

Document Width	1270 mm (50 inch)
Scan Width	1118 mm (44 inch)
Scan Direction	Face up
Scanner Resolution	1200 × 1200 dpi (optionally 9600 × 9600 dpi interpolated)
Optical Resolution	1200 × 600 dpi
Pixel Dimension	9.3 × 9.3 μm
Sensor Type	Four Tri-color CCDs, encapsulated and dust-proof
Color Depth	48 bit color (internal resolution) 16 bit grayscale (internal resolution)
Scan Modes	24 bit color, 8 bit grayscale, bitonal, halftone
File Formats	Multipage PDF (PDF/A) and TIFF, JPEG, JPEG 2000, PNM, PNG, BMP, TIFF (Raw, G3, G4, LZW, JPEG), AutoCAD DWF, JBIG, DjVu, DICOM, PCX, Postscript, EPS, Raw data

Optical System WideTEK® 48

Document Width	1270 mm (50 inch)
Scan Width	1219 mm (48 inch)
Scan Direction	Face up
Scanner Resolution	1200 × 1200 dpi (optionally 9600 × 9600 dpi interpolated)
Optical Resolution	1200 × 600 dpi
Pixel Dimension	9.3 × 9.3 μm
Sensor Type	Four Tri-color CCDs, encapsulated and dust-proof
Color Depth	48 bit color (internal resolution) 16 bit grayscale (internal resolution)
Scan Modes	24 bit color, 8 bit grayscale, bitonal, halftone
File Formats	Multipage PDF (PDF/A) and TIFF, JPEG, JPEG 2000, PNM, PNG, BMP, TIFF (Raw, G3, G4, LZW, JPEG), AutoCAD DWF, JBIG, DjVu, DICOM, PCX, Postscript, EPS, Raw data

Document Specification

Document Length	Up to 500 m (20.000 inch) ¹
Document Weight	Any. Straight paper path can handle the stiffest documents.
Document Thickness	3 mm (0.1 inch) max.

¹(The maximum document length depends on the scan resolution and the scan output.).

Electrical Specifications

External Power Supply

Voltage	100–240 V AC
Frequency	47–63 Hz
Operating Temperature	5 to 40 °C (40 to 105 °F)
Relative Humidity	20 to 80 % (non-condensing)
ECO Standard	CEC Level VI

Scanner

Voltage	24 V DC
Current	Max. 5 A

Illumination WideTEK® 36/44/48

Light source	Two lamps with white LEDs, integrated optical diffusor
Warm up time of the lamps	None. Maximum brightness after switching on.
Temperature induced change	None
UV / IR radiation	None
Lifetime of the LEDs	50.000 hours (typically)

Power consumption WideTEK® 36

Sleep	< 0.5 W
Standby	5.2 W
Ready to Scan	50 W
Scanning	< 95 W

Power consumption WideTEK® 44/48

Sleep	< 0.5 W
Standby	6.5 W
Ready to Scan	60 W
Scanning	< 120 W

Dimensions and Weight WideTEK® 36

Scanner Outer Dimensions (H x W x D)	228 x 1095 x 507 mm (9 x 43 x 20 inch)
Scanner Outer Dimensions (incl. Floor Stand) (H x W x D)	1070 x 1095 x 507 mm (42 x 43 x 20 inch)
Weight of Scanner	45 kg (99 lbs.)
Transport Box Dimensions (Scanner) (H x W x D)	450 x 1200 x 800 mm (18 x 47 x 31 inch)
Scanner Weight, Ready to Ship	92 kg (202lbs.)
Transport box Dimensions (Bundle) (H x W x D)	550 x 1200 x 800 mm (22 x 47 x 31 inch)
Weight of Bundle (Scanner, Floor Stand, Touch Screen)	70 kg (154 lbs.)
Bundle Weight, Ready to Ship	105 kg (231 lbs.)

Dimensions and Weight WideTEK® 44/48

Scanner Outer Dimensions (H x W x D)	228 x 1425 x 507 mm (9 x 56 x 20 inch)
Scanner Outer Dimensions (incl. Floor Stand) (H x W x D)	1070 x 1425 x 507 mm (42 x 56 x 20 inch)
Weight of Scanner	60 kg (132 lbs.)
Transport Box Dimensions (Scanner) (H x W x D)	650 x 1600 x 800 mm (25 x 63 x 31 inch)
Scanner Weight, Ready to Ship	110 kg (242 lbs.)
Transport Box Dimensions (Bundle) (H x W x D)	650 x 1600 x 800 mm (25 x 63 x 31 inch)
Weight of Bundle (Scanner, Floor Stand, Touchscreen)	80 kg (176 lbs.)
Bundle Weight, Ready to Ship	133 kg (293 lbs.)

Ambient Conditions

Operation Temperature	5 to 40 °C (40 to 105°F)
Storage Temperature	0 to 60 °C (32 to 140°F)
Relative Humidity	20 to 80% (non-condensing)
Noise	< 35 dB(A) (Operating) < 25 dB(A) (Stand-by)

End of document

